

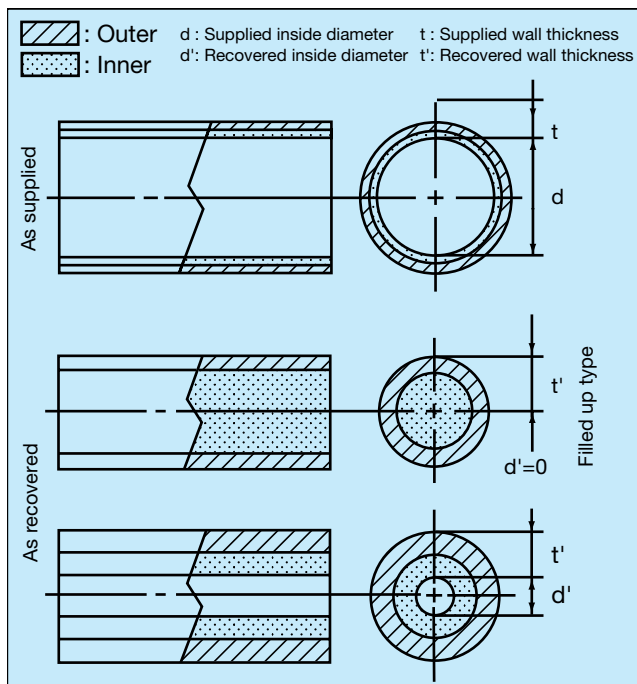
Basic Properties

- (1) Materials : Outer: Irradiated cross-linked flexible polyolefin
Inner: Meltable polyolefin
- (2) Shrink temperature : min. 115°C
- (3) Shrink Ratio : Radial change: min. 60%
: Longitudinal change: min. -15%
- (4) Continuous Operating Temperature : -55 to 105°C

Features

- (1) Dual wall structure by using 2 tubings
- (2) Effective filling for large gap objects

Structure



Specification/Approvals

SFP standard (R4-1080)

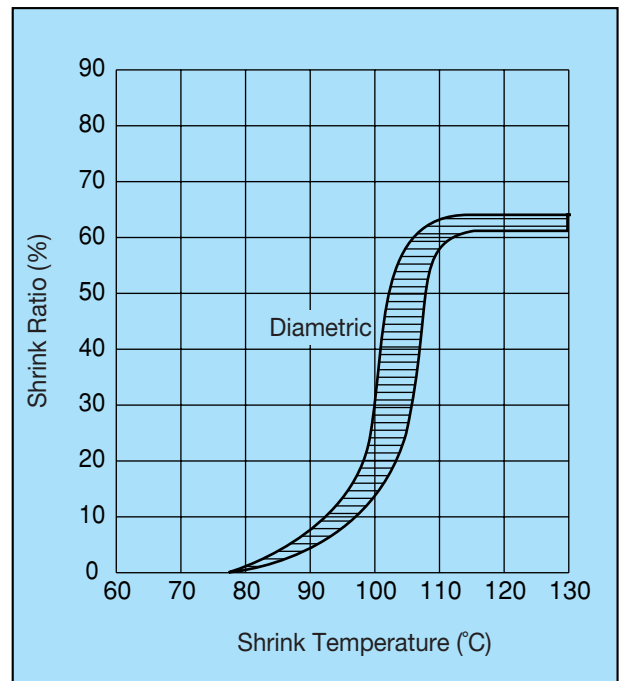
Application

- (1) Insulation, protection and reinforcement for termination and joints of electric wire
- (2) Anticorrosion for pipes

Colours

Black (inner: grey), Clear (inner: clear)

Shrink Property



Properties

Properties	Items	Requirements	Typical values*1
Mechanical	Tensile strength	min. 10.4MPa	13.8MPa
	Elongation	min. 200%	475%
	Gravity	—	0.94
	Hardness (shore-D)	—	42
Electrical	Voltage resistance	AC2.5kV x 60 sec., no breakdown	pass
	Volume resistivity	min. 1.0 x 10 ¹⁴ Ω·cm	1.7 x 10 ¹⁶ Ω·cm
Chemical	Water absorption	23°C x 24 hours, max. 0.30%	0.06%
	Flammability	Flammable	—

*1: For reference use only. They are the data of outer tubing.

Sizes

Nominal size (mm)	Supplied ID (mm)		Recovered ID (mm)		Unit length (min.) (m)
	Inside diameter (d)	Wall thickness (nom.) (t)	Inside diameter (max.)(d')	Wall thickness (nom.) (t')	
1.5	1.70 ± 0.20	0.50	Filled up	1.10	0.3
2.5	2.70 ± 0.20	0.50	Filled up	1.40	0.3
3.5	3.50 ± 0.30	0.55	Filled up	1.60	0.3
4.5	4.60 ± 0.30	0.60	Filled up	2.00	0.3
5.5	5.50 ± 0.40	0.65	Filled up	2.20	0.3
7	7.3 ± 0.5	0.65	2.80	1.50	0.3
8	8.2 ± 0.5	0.75	2.80	1.80	0.3
9	9.0 ± 0.5	0.75	2.80	1.90	0.3
10	10.0 ± 0.5	0.75	3.50	1.90	0.3
11	11.0 ± 0.5	0.80	4.00	2.00	0.3
14	14.0 ± 0.6	0.80	5.50	2.10	0.3